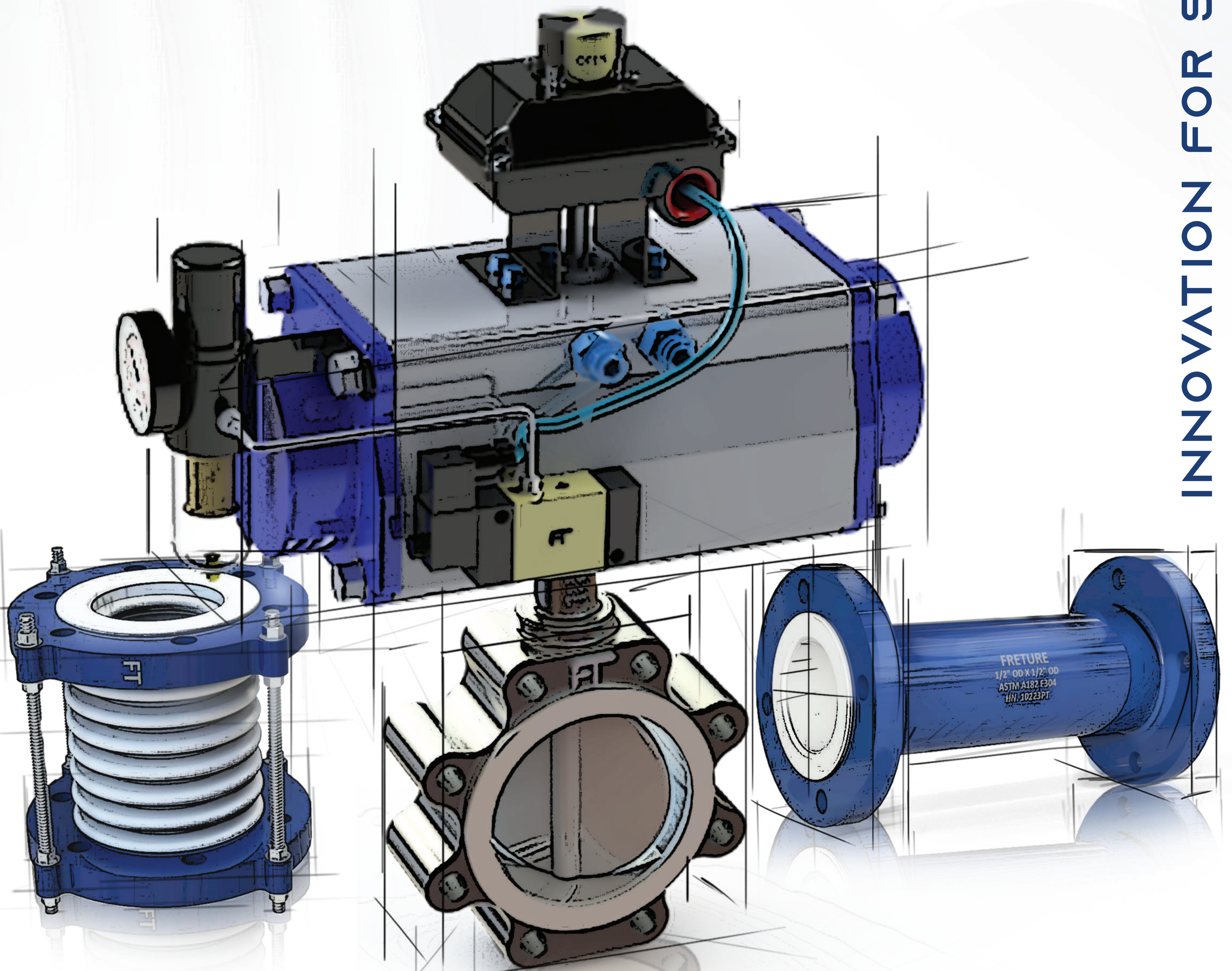


# FRETURE

EMISSION FREE PROCESS

## LINED VALVE & PIPING



INNOVATION FOR SUSTAINABILITY

ON-OFF | CONTROL | PIPING

[www.freture.com](http://www.freture.com)

ISO 9001 - 15000 | ISO 14000 | ISO 45001 | PED 2014 / 68 / EU | IBR

## BALL VALVE

Design: API 6D / BS 5351 / ISO 17292 / ASME B16.34 / API 607

Body : Graded CI / DI / WCB / SS + Lined

Lining Material : PTFE / PFA / FEP / ETFE / PVDF

Operation : Manual , Gear & Actuated

End Connection	Size	Class
Flange End	15 NB - 300 NB	150# / PN16



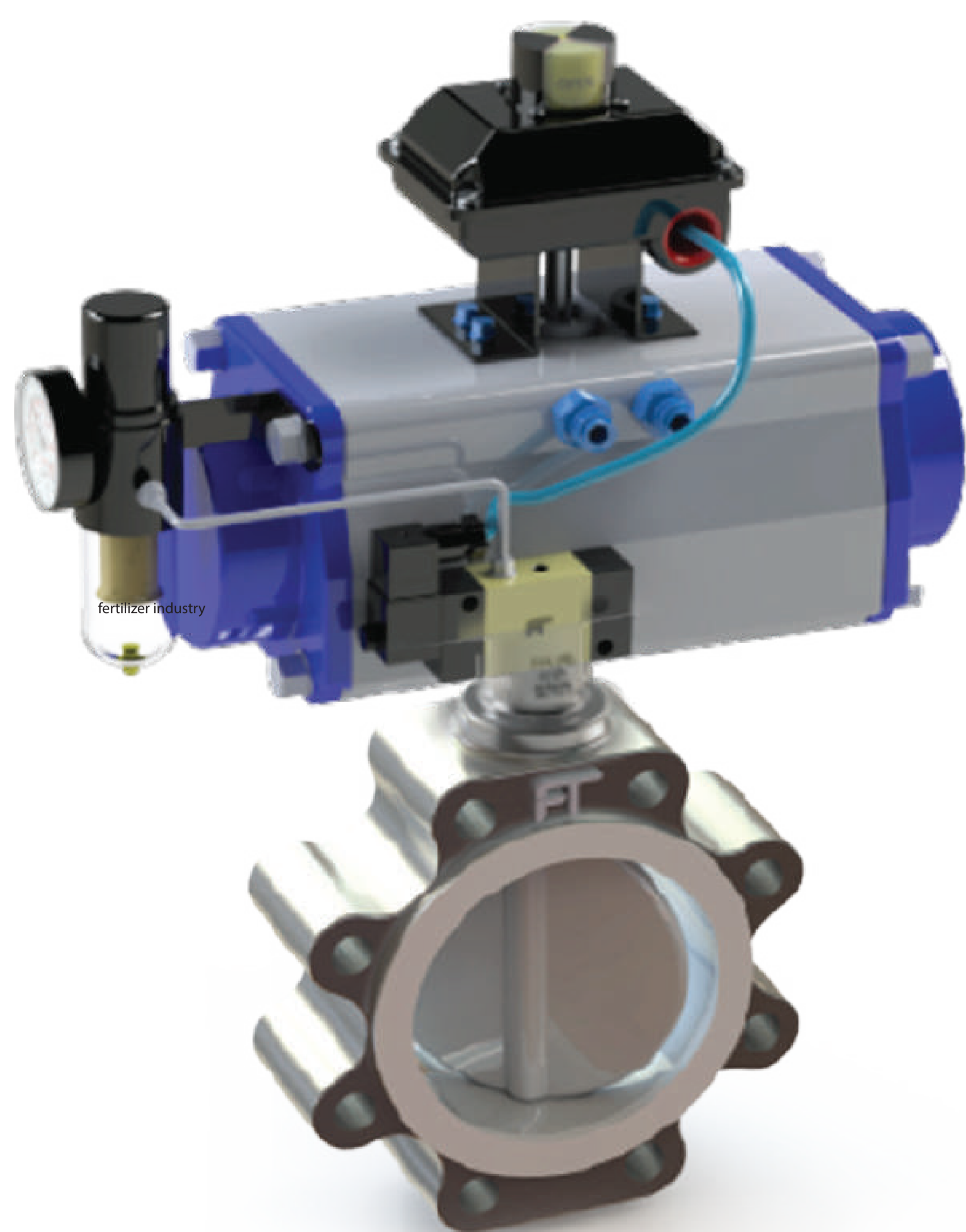
Acid



Chemical



Fertilizers



Acid



Chemical



Fertilizers

## BUTTERFLY VALVE

Design : API 609 / BS 5351 / EN 593 / MSS SP 67 / ISO

Body : Graded CI / DI / WCB / SS + Lined

Lining Material : PTFE / PFA / FEP / ETFE / PVDF

Testing: Hydro-test-For Body and Seat both @ 10 Kg/cm2 | Spark test-10 KVA DC Spark test-10 KVA DC

Operation : Manual , Gear & Actuated

End Connection	Size	Class
Flange End	50NB - 600NB	150# / PN16



Acid



Chemical



Fertilizers



## CONTROL VALVE

Design : ANSI/ISA 75.01.01 / ANSI/FCI 70.2 Class VI (Soft Seat) Tight Shut Off / Class IV Metal to Metal Seating

Lining Material : PTFE / PFA / FEP / ETFE / PVDF / Glass PTFE / Carbon PTFE

Rangeability : 30 - 1 std (50 - 1 or Higher as per Request)

Trim Designs: Top Guided Contoured, Cage Type Splined Micro Flow, V-Ported (Balanced / Unbalanced)

Testing: Hydro-test-For Body and Seat both @ 10 Kg/cm2 | Spark test-10 KVA DC Spark test-10 KVA DC

Characteristics : Equal Percentage, Linear & Quick Opening.

End Connection	Size	Class
Flange End	15 - 450 NB	150# / PN16

## DIAPHHRGM VALVE

Design: F-F:BS 5156

Body : Graded CI / DI / WCB / SS + Lined

Lining Material : EPDM, Neoprene, Ebonite Silicone, PTFE, PFA

Diaphragm : PTFE Blocked By Neo Pressure | EPDM Viton  
Neoprene | Natural Rubber

Testing: Hydro-test-For Body and Seat both @ 10  
Kg/cm2 | Spark test-10 KVA DC Spark test-10 KVA DC

Operation : Manual & Actuated (Pneumatic )

End Connection	Size	Class
Flange End	15 NB - 300 NB	150# / PN16



Acid



Chemical



Fertilizers



Acid



Chemical



Fertilizers

## CHECK VALVE

Design: BS 5351 / Short Pattern / API 602 / API 594

Body : Graded CI / DI / WCB / SS + Lined

Lining Material : EPDM, Neoprene, Ebonite Silicone, PTFE, PFA

Testing: Hydro-test-For Body and Seat both @ 10  
Kg/cm2 | Spark test-10 KVA DC Spark test-10 KVA DC

End Connection	Size	Class
Flange End	15 NB - 250 NB	150# / PN16

## GATE / GLOBE VALVE

Design: API 600 / 603 / 602 / BS 5351

Body : Graded CI / DI / WCB / SS + Lined

Lining Material : EPDM, Neoprene, Ebonite Silicone,  
PTFE, PFA

Testing: Hydro-test-For Body and Seat both @ 10  
Kg/cm2 | Spark test-10 KVA DC Spark test-10 KVA DC

Operation : Manual & Actuated (Pneumatic )

End Connection	Size	Class
Flange End	15 NB - 600 NB	150# / PN16



Acid



Chemical



Fertilizers





Acid



Chemical



Fertilizers

## LINED PIPE & FITTINGS

Pipe Spool / Elbow / Flange / Tee / Manifold  
Bellow / Reducer

Body : Graded CI / DI / WCB / SS + Lined

Lining Material : PTFE / PFA / FEP / ETFE / PVDF / Glass  
PTFE / Carbon PTFE

Testing: Hydro-test-For Body and Seat both @ 10  
Kg/cm2 | Spark test-10 KVA DC Spark test-10 KVA DC

End Connection	Size	Class
Flange End	25NB - 300NB	150# / PN10

## CLIENTELE



# FRETURE TECHNO PVT. LTD.



Fenkin Empire, Kaushalya, Station Road,  
Jambli Naka, Thane (W) - 400602.



www.freture.com



+91 75066 82777



sales@freture.com