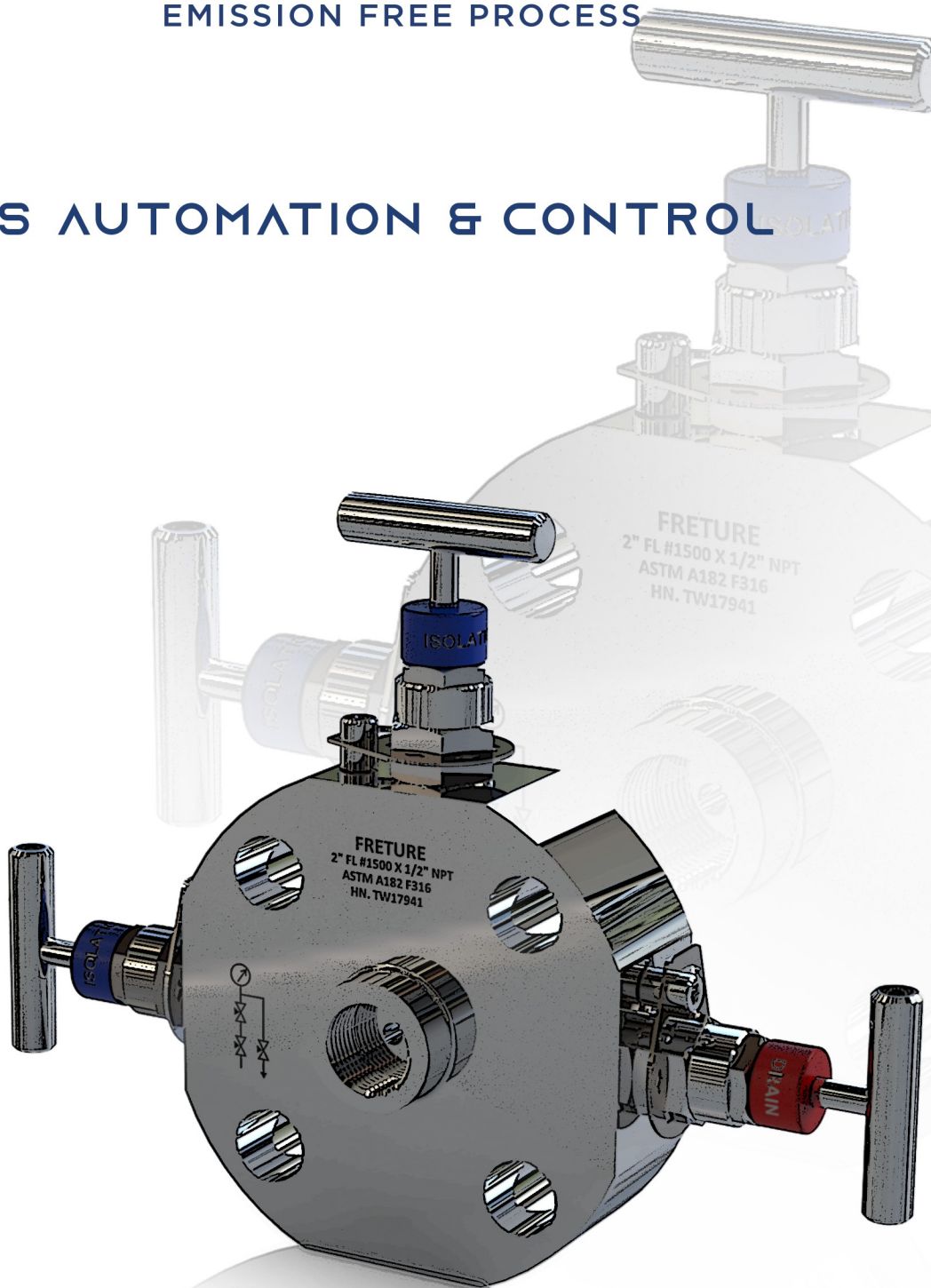


FRETURE

EMISSION FREE PROCESS

PROCESS AUTOMATION & CONTROL

INNOVATION FOR SUSTAINABILITY



MONOFLANGE VALVE

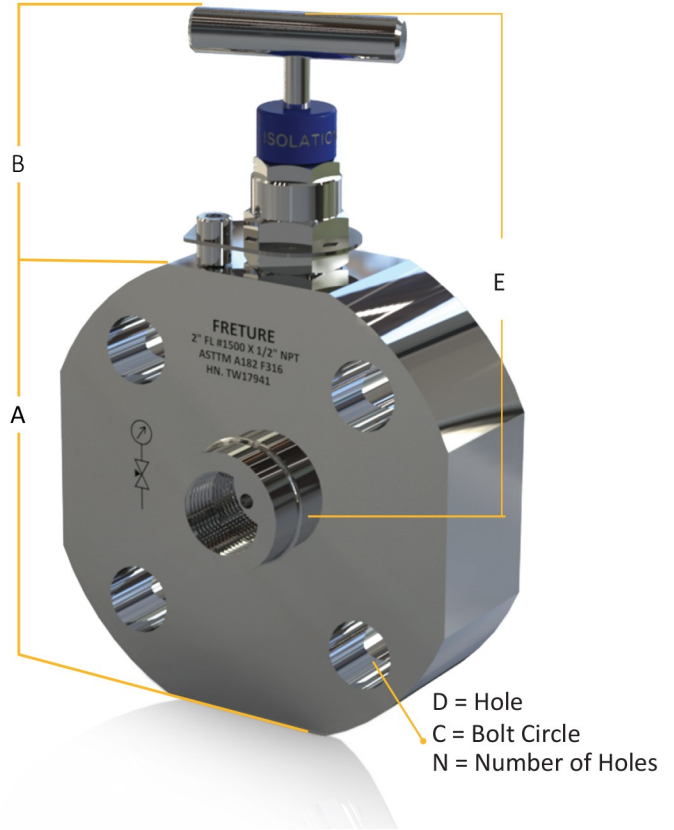
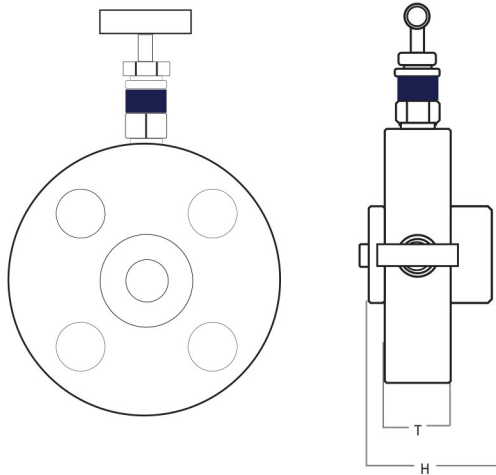
www.freture.com

ISO 9001 - 15000 | ISO 14000 | ISO 45001 | PED 2014 / 68 / EU

Single isolation Monoflange Valve

MFV SI

End Connection:	Flange / Threaded
Standard:	MESC SPE 77-170
Class:	150#- 2500#
Size:	8 NB- 100 NB
Temperature:	-7 °C to 280 °C

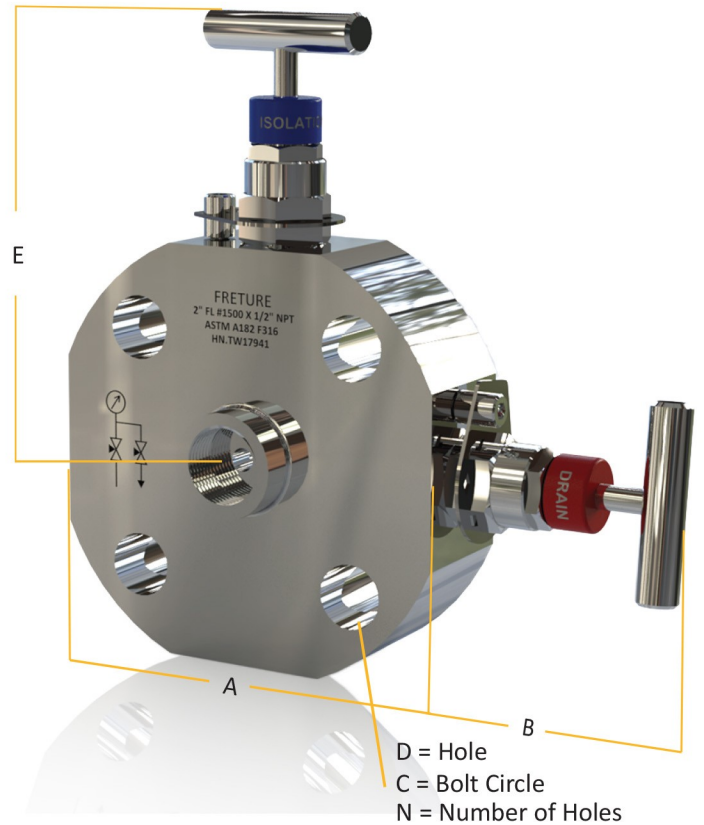
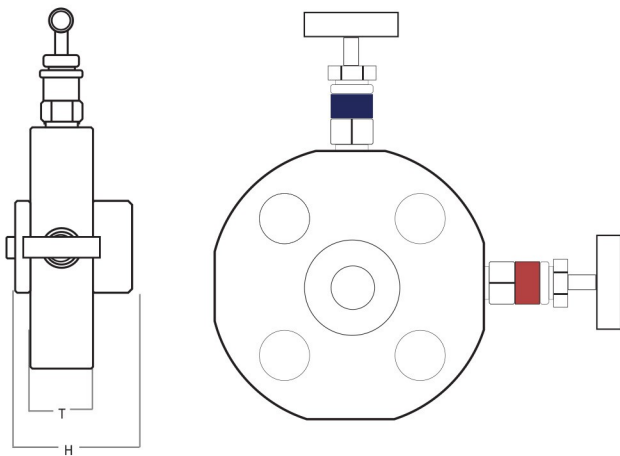


D = Hole
C = Bolt Circle
N = Number of Holes

Size	Class	RF	RTJ	A	E	D	C	N	T	H	ØD
1/2"	150	0.06	N/A	3.40	4.50	5/8	2.38	4	1.50	2.44	3.50
	300	0.06	0.219	3.65	4.63	5/8	2.62	4	1.50	2.63	3.75
	600	0.25	0.219	3.65	4.63	5/8	2.62	4	1.50	2.63	3.75
	900/1500	0.25	0.250	4.65	5.13	7/8	3.25	4	1.50	2.63	4.75
	2500	0.25	0.250	5.15	5.38	7/8	3.50	4	1.50	2.63	5.25
3/4"	150	0.06	N/A	3.78	4.75	5/8	2.75	4	1.50	2.63	3.88
	300	0.06	0.250	4.52	5.06	3/4	3.25	4	1.50	2.63	4.62
	600	0.25	0.250	4.52	5.06	3/4	3.25	4	1.50	2.63	4.62
	900/1500	0.25	0.250	5.02	5.31	7/8	3.50	4	1.50	2.63	5.12
	2500	0.25	0.250	5.40	5.50	7/8	3.75	4	1.50	2.63	5.50
1"	150	0.06	0.250	4.15	4.88	5/8	3.12	4	1.50	2.63	4.25
	300	0.06	0.250	4.78	5.19	3/4	3.50	4	1.50	2.63	4.88
	600	0.25	0.250	4.78	5.19	3/4	3.50	4	1.50	2.63	4.88
	900/1500	0.25	0.250	5.78	5.88	1	4.00	4	1.50	2.63	5.88
	2500	0.25	0.250	6.15	5.88	1	4.25	4	1.50	2.63	6.25
1-1/2"	150	0.06	0.250	4.90	5.25	5/8	3.88	4	1.50	2.63	5.00
	300	0.06	0.250	6.02	5.88	7/8	4.50	4	1.50	2.63	6.12
	600	0.25	0.250	6.02	5.88	7/8	4.50	4	1.50	2.63	6.12
	900/1500	0.25	0.250	6.90	6.25	1-1/8	4.88	4	1.50	2.63	7.00
	2500	0.25	0.312	7.90	6.75	1-1/4	5.75	4	1.50	2.63	8.00
2"	150	0.06	0.250	5.90	5.75	3/4	4.75	4	1.50	2.63	6.00
	300	0.06	0.312	6.40	6.00	3/4	5.00	8	1.50	2.63	6.50
	600	0.25	0.312	6.40	6.00	3/4	5.00	8	1.50	2.63	6.50
	900/1500	0.25	0.312	8.40	7.00	1	6.50	8	1.50	2.63	8.50
	2500	0.25	0.312	9.15	7.38	1-1/8	6.75	8	2.00	3.13	9.25

Isolation - Drain Monoflange Valve MFV ID

End Connection: Flange / Threaded
 Standard: MESG SPE 77-170
 Class: 150#- 2500#
 Size: 8 NB- 100 NB
 Temperature: -7 °C to 280 °C

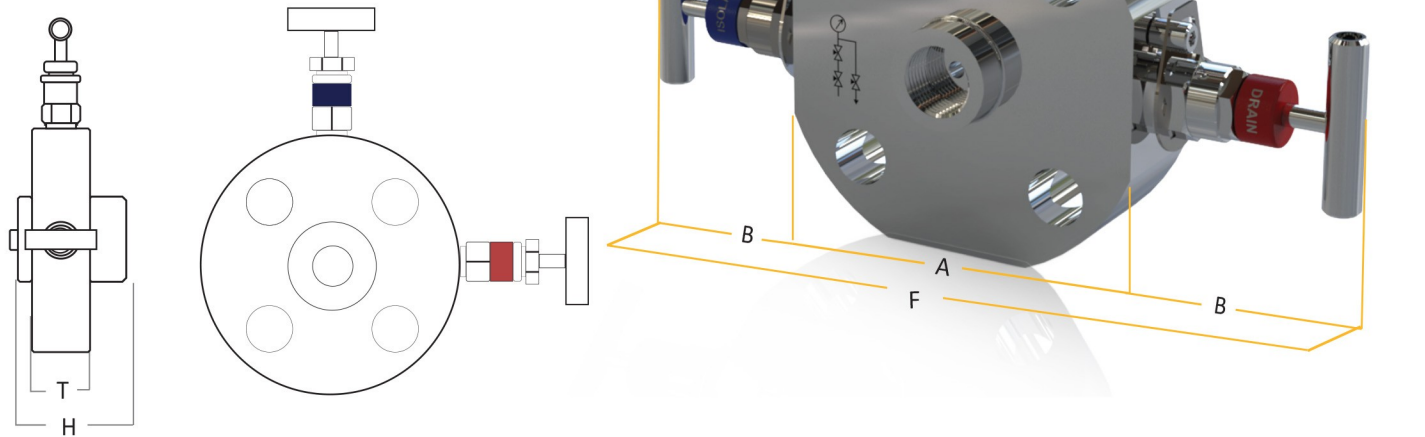


Size	Class	RF	RTJ	A	B	E	D	C	N	T	H	ØD
1/2"	150	0.06	N/A	3.40	2.94	4.50	5/8	2.38	4	1.50	2.44	3.50
	300	0.06	0.219	3.65	2.94	4.63	5/8	2.62	4	1.50	2.63	3.75
	600	0.25	0.219	3.65	2.94	4.63	5/8	2.62	4	1.50	2.63	3.75
	900/1500	0.25	0.250	4.65	2.94	5.13	7/8	3.25	4	1.50	2.63	4.75
	2500	0.25	0.250	5.15	2.94	5.38	7/8	3.50	4	1.50	2.63	5.25
3/4"	150	0.06	N/A	3.78	2.94	4.75	5/8	2.75	4	1.50	2.63	3.88
	300	0.06	0.250	4.52	2.94	5.06	3/4	3.25	4	1.50	2.63	4.62
	600	0.25	0.250	4.52	2.94	5.06	3/4	3.25	4	1.50	2.63	4.62
	900/1500	0.25	0.250	5.02	2.94	5.31	7/8	3.50	4	1.50	2.63	5.12
	2500	0.25	0.250	5.40	2.94	5.50	7/8	3.75	4	1.50	2.63	5.50
1"	150	0.06	0.250	4.15	2.94	4.88	5/8	3.12	4	1.50	2.63	4.25
	300	0.06	0.250	4.78	2.94	5.19	3/4	3.50	4	1.50	2.63	4.88
	600	0.25	0.250	4.78	2.94	5.19	3/4	3.50	4	1.50	2.63	4.88
	900/1500	0.25	0.250	5.78	2.94	5.88	1	4.00	4	1.50	2.63	5.88
	2500	0.25	0.250	6.15	2.94	5.88	1	4.25	4	1.50	2.63	6.25
1-1/2"	150	0.06	0.250	4.90	2.94	5.25	5/8	3.88	4	1.50	2.63	5.00
	300	0.06	0.250	6.02	2.94	5.88	7/8	4.50	4	1.50	2.63	6.12
	600	0.25	0.250	6.02	2.94	5.88	7/8	4.50	4	1.50	2.63	6.12
	900/1500	0.25	0.250	6.90	2.94	6.25	1-1/8	4.88	4	1.50	2.63	7.00
	2500	0.25	0.312	7.90	2.94	6.75	1-1/4	5.75	4	1.50	2.63	8.00
2"	150	0.06	0.250	5.90	2.94	5.75	3/4	4.75	4	1.50	2.63	6.00
	300	0.06	0.312	6.40	2.94	6.00	3/4	5.00	8	1.50	2.63	6.50
	600	0.25	0.312	6.40	2.94	6.00	3/4	5.00	8	1.50	2.63	6.50
	900/1500	0.25	0.312	8.40	2.94	7.00	1	6.50	8	1.50	2.63	8.50
	2500	0.25	0.312	9.15	2.94	7.38	1-1/8	6.75	8	2.00	3.13	9.25

2 Isolation- Drain Monoflange Valve

MFV IID

End Connection:	Flange / Threaded
Standard:	MESC SPE 77-170
Class:	150#- 2500#
Size:	8 NB- 100 NB
Temperature:	-7 °C to 280 °C



Size	Class	RF	RTJ	A	B	E	F	D	C	N	T	H	ØD
1/2"	150	0.06	N/A	3.40	2.94	4.50	9.28	5/8	2.38	4	1.50	2.44	3.50
	300	0.06	0.219	3.65	2.94	4.63	9.53	5/8	2.62	4	1.50	2.63	3.75
	600	0.25	0.219	3.65	2.94	4.63	9.53	5/8	2.62	4	1.50	2.63	3.75
	900/1500	0.25	0.250	4.65	2.94	5.13	10.53	7/8	3.25	4	1.50	2.63	4.75
	2500	0.25	0.250	5.15	2.94	5.38	11.03	7/8	3.50	4	1.50	2.63	5.25
3/4"	150	0.06	N/A	3.78	2.94	4.75	9.66	5/8	2.75	4	1.50	2.63	3.88
	300	0.06	0.250	4.52	2.94	5.06	10.40	3/4	3.25	4	1.50	2.63	4.62
	600	0.25	0.250	4.52	2.94	5.06	10.40	3/4	3.25	4	1.50	2.63	4.62
	900/1500	0.25	0.250	5.02	2.94	5.31	10.90	7/8	3.50	4	1.50	2.63	5.12
	2500	0.25	0.250	5.40	2.94	5.50	11.28	7/8	3.75	4	1.50	2.63	5.50
1"	150	0.06	0.250	4.15	2.94	4.88	10.03	5/8	3.12	4	1.50	2.63	4.25
	300	0.06	0.250	4.78	2.94	5.19	10.66	3/4	3.50	4	1.50	2.63	4.88
	600	0.25	0.250	4.78	2.94	5.19	10.66	3/4	3.50	4	1.50	2.63	4.88
	900/1500	0.25	0.250	5.78	2.94	5.88	11.66	1	4.00	4	1.50	2.63	5.88
	2500	0.25	0.250	6.15	2.94	5.88	12.03	1	4.25	4	1.50	2.63	6.25
1-1/2"	150	0.06	0.250	4.90	2.94	5.25	10.78	5/8	3.88	4	1.50	2.63	5.00
	300	0.06	0.250	6.02	2.94	5.88	11.90	7/8	4.50	4	1.50	2.63	6.12
	600	0.25	0.250	6.02	2.94	5.88	11.90	7/8	4.50	4	1.50	2.63	6.12
	900/1500	0.25	0.250	6.90	2.94	6.25	12.78	1-1/8	4.88	4	1.50	2.63	7.00
	2500	0.25	0.312	7.90	2.94	6.75	13.78	1-1/4	5.75	4	1.50	2.63	8.00
2"	150	0.06	0.250	5.90	2.94	5.75	11.28	3/4	4.75	4	1.50	2.63	6.00
	300	0.06	0.312	6.40	2.94	6.00	12.28	3/4	5.00	8	1.50	2.63	6.50
	600	0.25	0.312	6.40	2.94	6.00	12.28	3/4	5.00	8	1.50	2.63	6.50
	900/1500	0.25	0.312	8.40	2.94	7.00	14.28	1	6.50	8	1.50	2.63	8.50
	2500	0.25	0.312	9.15	2.94	7.38	15.03	1-1/8	6.75	8	2.00	3.13	9.25

FRETURE

EMISSION FREE PROCESS

CLIENTELE



FRETURE TECHNO PVT. LTD.



Fenkin Empire, Kaushalya, Station Road,
Jambli Naka, Thane (W) - 400602.



www.freture.com



+91 75066 82777



sales@freture.com