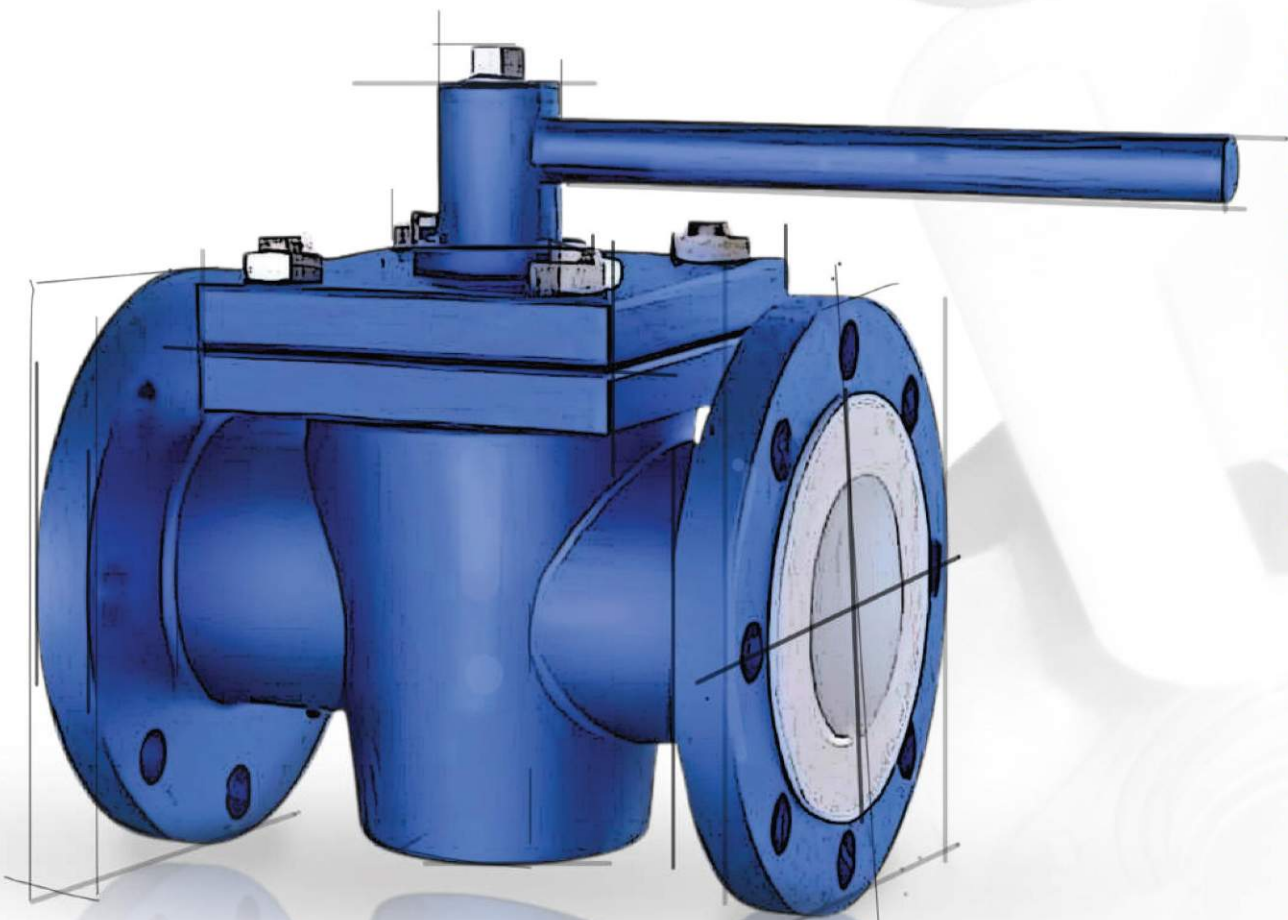


FRETURE

EMISSION FREE PROCESS

PROCESS AUTOMATION & CONTROL



INNOVATION FOR SUSTAINABILITY

PLUG VALVE

www.freture.com

ISO 9001 - 15000 | ISO 14000 | ISO 45001 | PED 2014 / 68 / EU

VISION

Our vision is clear to provide precision products and services that enhance and strengthen relationships with our clients. We aspire to be the leading provider of valve solutions, renowned for our unwavering commitment to quality, reliability, and customer satisfaction.

Our vision is not just about delivering products, it's about fostering trust, reliability, and mutual growth in every interaction.

MISSION

At Freture Techno, our mission is to serve our precision products and services on a global scale, supporting industries in maintaining their critical flow processes. We are dedicated to providing innovative valve solutions that optimize efficiency and sustainability for our customers worldwide.

We ensure that every client, regardless of location or industry, can count on Freture Techno to deliver the products and support they need to thrive.

CERTIFICATE

ZERTIFIKAT • CERTIFICATE • CERTIFICADO • CERTIFICAT • CERTIFICATE



CERTIFICATE

FRETURE TECHNO PVT. LTD.
 ADDRESS: ALPACK COMPOUND, MILIND NAGAR, BHANDUP(W),
 MUMBAI - 400078, MAHARASHTRA, INDIA

QACS certify that the quality management system of the above organization has been Audited and found to be in accordance with the requirements of standard detailed below

ISO 9001:2015

For The Following Scope

DESIGN, MANUFACTURING & SUPPLY INDUSTRIAL VALVE, FITTINGS, PIPE TUBE,
 RAW MATERIAL & OTHER INDUSTRIAL PRODUCTS & ENGINEERING SERVICES

Certificate No:- QAIS-Q-IND-FT-01.24.027
 EA Code: 17 & 18

*This certificate is issued in accordance with the QACS International Pvt. Ltd. auditing and Certification procedures and it remains valid subject to annual surveillance audit.

Certificate Issue Date	: 13.03.2024	1st surveillance Date	: 12.03.2025
Dated Of Initial Registration	: 13.03.2024	2nd surveillance Date	: 12.03.2026
Certificate Validity	: 03 Years	*Certificate Expiry Date	: 12.03.2027

Note: Certificate shall be valid after surveillance, only if continuation letter by QACS is present.

QACS International Pvt. Ltd.
 111, Sakinaka, Sakinaka, Sakinaka,
 Sakinaka-400078, India
 QACS Registration No: QAIS-Q-IND-FT-01.24.027
 QACS Website: www.qacsinternational.com
 QACS Contact: +91 22 2627 1111
 QACS Email: info@qacsinternational.com
 QACS Address: 111, Sakinaka, Sakinaka, Sakinaka, Sakinaka-400078, India



Authorized Signatory

ZERTIFIKAT • CERTIFICATE • CERTIFICADO • CERTIFICAT • CERTIFICATE



CERTIFICATE

FRETURE TECHNO PVT. LTD.
 ADDRESS: ALPACK COMPOUND, MILIND NAGAR, BHANDUP(W),
 MUMBAI - 400078, MAHARASHTRA, INDIA

QACS certify that the environmental management system of the above organization has been Audited and found to be in accordance with the requirements of standard detailed below

ISO 14001:2015

For The Following Scope

DESIGN, MANUFACTURING & SUPPLY INDUSTRIAL VALVE, FITTINGS, PIPE TUBE,
 RAW MATERIAL & OTHER INDUSTRIAL PRODUCTS & ENGINEERING SERVICES

Certificate No:- QAIS-E-IND-FT-01.24.012
 EA Code: 17 & 18

*This certificate is issued in accordance with the QACS International Pvt. Ltd. auditing and Certification procedures and it remains valid subject to annual surveillance audit.

Certificate Issue Date	: 13.03.2024	1st surveillance Date	: 12.03.2025
Dated Of Initial Registration	: 13.03.2024	2nd surveillance Date	: 12.03.2026
Certificate Validity	: 03 Years	*Certificate Expiry Date	: 12.03.2027

Note: Certificate shall be valid after surveillance, only if continuation letter by QACS is present.

QACS International Pvt. Ltd.
 111, Sakinaka, Sakinaka, Sakinaka,
 Sakinaka-400078, India
 QACS Registration No: QAIS-E-IND-FT-01.24.012
 QACS Website: www.qacsinternational.com
 QACS Contact: +91 22 2627 1111
 QACS Email: info@qacsinternational.com
 QACS Address: 111, Sakinaka, Sakinaka, Sakinaka, Sakinaka-400078, India



Authorized Signatory

ZERTIFIKAT • CERTIFICATE • CERTIFICADO • CERTIFICAT • CERTIFICATE



CERTIFICATE

FRETURE TECHNO PVT. LTD.
 ADDRESS: ALPACK COMPOUND, MILIND NAGAR, BHANDUP(W),
 MUMBAI - 400078, MAHARASHTRA, INDIA

QACS certify that the occupational health & safety management system of the above organization has been audited and found to be in accordance with the requirements of standard detailed below

ISO 45001:2018

For The Following Scope

DESIGN, MANUFACTURING & SUPPLY INDUSTRIAL VALVE, FITTINGS, PIPE TUBE,
 RAW MATERIAL & OTHER INDUSTRIAL PRODUCTS & ENGINEERING SERVICES

Certificate No:- QAIS-OH-IND-FT-01.24.011
 EA Code: 17 & 18

*This certificate is issued in accordance with the QACS International Pvt. Ltd. auditing and Certification procedures and it remains valid subject to annual surveillance audit.

Certificate Issue Date	: 13.03.2024	1st surveillance Date	: 12.03.2025
Dated Of Initial Registration	: 13.03.2024	2nd surveillance Date	: 12.03.2026
Certificate Validity	: 03 Years	*Certificate Expiry Date	: 12.03.2027

Note: Certificate shall be valid after surveillance, only if continuation letter by QACS is present.

QACS International Pvt. Ltd.
 111, Sakinaka, Sakinaka, Sakinaka,
 Sakinaka-400078, India
 QACS Registration No: QAIS-OH-IND-FT-01.24.011
 QACS Website: www.qacsinternational.com
 QACS Contact: +91 22 2627 1111
 QACS Email: info@qacsinternational.com
 QACS Address: 111, Sakinaka, Sakinaka, Sakinaka, Sakinaka-400078, India



Authorized Signatory

Certificate

**Quality-Assurance System
 acc. to Directive 2014/68/EU**

Certificate no: 01 2627 INM1-230014.00

Name and address of the manufacturer:	Freture Techno Pvt Ltd St. Stephen Tamil Church, Alpack Compound, Cape Devi Road, Milind Nagar, Bhandup (W) Mumbai - 400078 India
Titled acc. to:	QIM System acc. to EN 784-5, Class 4.2 and AD 2000 Merkblatt W1
Assessment report no.:	INM1-230014 Rev. 0
Area of validity:	Manufacture of Flanges, Forged Fittings and Pipe Fittings in Stainless Steel, Alloy Steel & Carbon Steel, see Annex to certificate
Manufacturing plant:	Freture Techno Pvt Ltd St. Stephen Tamil Church, Alpack Compound, Cape Devi Road, Milind Nagar, Bhandup (W) Mumbai - 400078 India
Period of validity:	07.06.2023 - 06.06.2026
Zairuz, 07.06.2023	 Wojciech Szalek

TÜV Rheinland Group AG
 Certification Body for Material Manufacturers
 in accordance with DIN EN ISO 9001:2015
 www.tuv.com



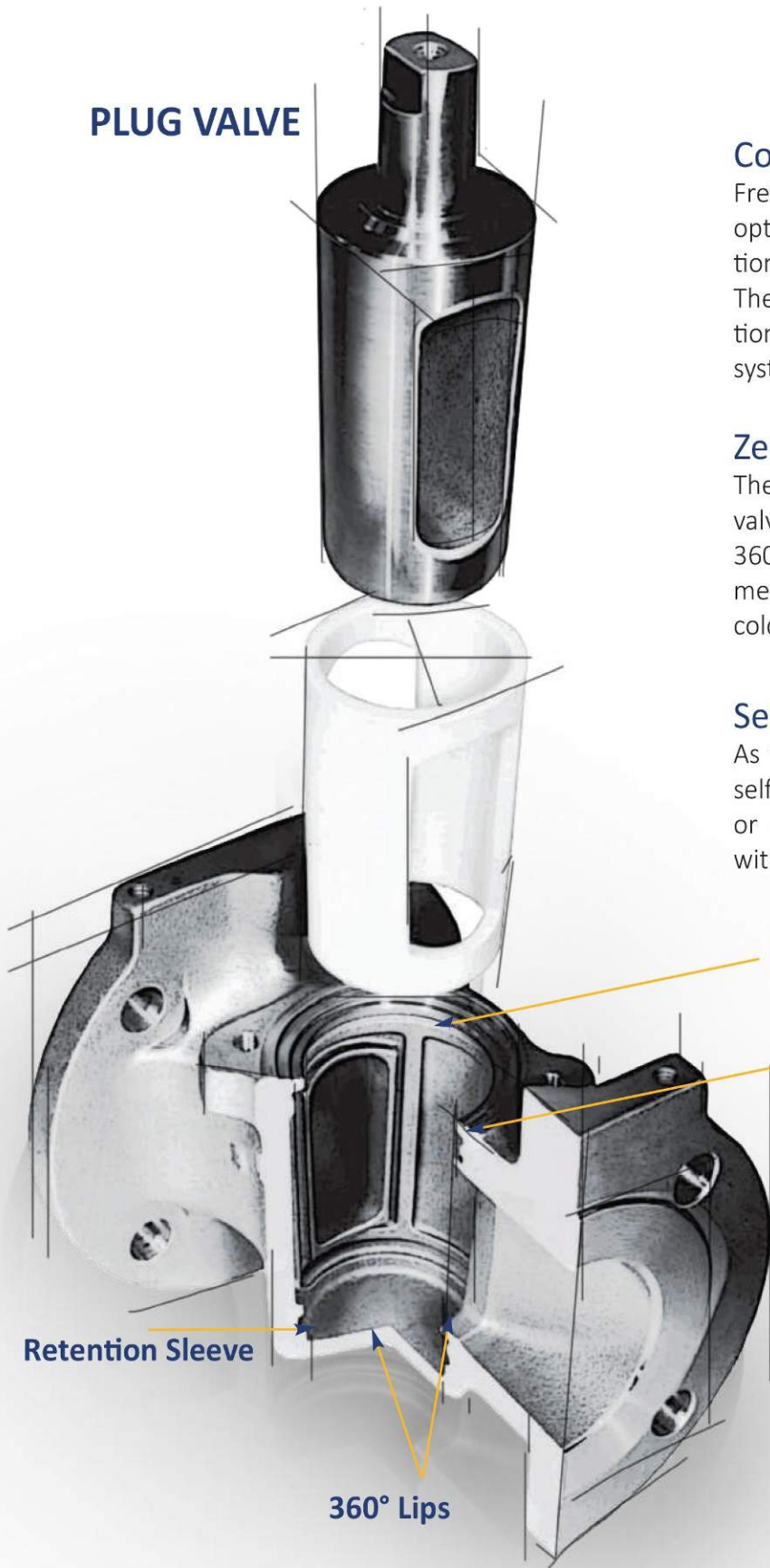
14 90 00024 Rev. 2

TÜV Rheinland
 Precisely Right.

FRETURE

EMISSION FREE PROCESS

PLUG VALVE



Cost-Effective and Versatile:

Freture's sleeved plug valves are engineered to optimize your fluid handling systems with bi-directional flow, simple actuation, and compact design. These features, along with multiport configurations, allow for more economical and flexible system designs.

Zero Cold Flow:

The PTFE sleeve is securely positioned within the valve body, supported by high-pressure ribs and 360° port lips. This design prevents sleeve movement, ensuring consistent sealing and no risk of cold flow, deformation, or rotation.

Self-Cleaning Action:

As the plug rotates, the 360° port lips facilitate a self-cleaning mechanism that removes any scaling or adhering media, ensuring smooth operation without seizing or sticking.

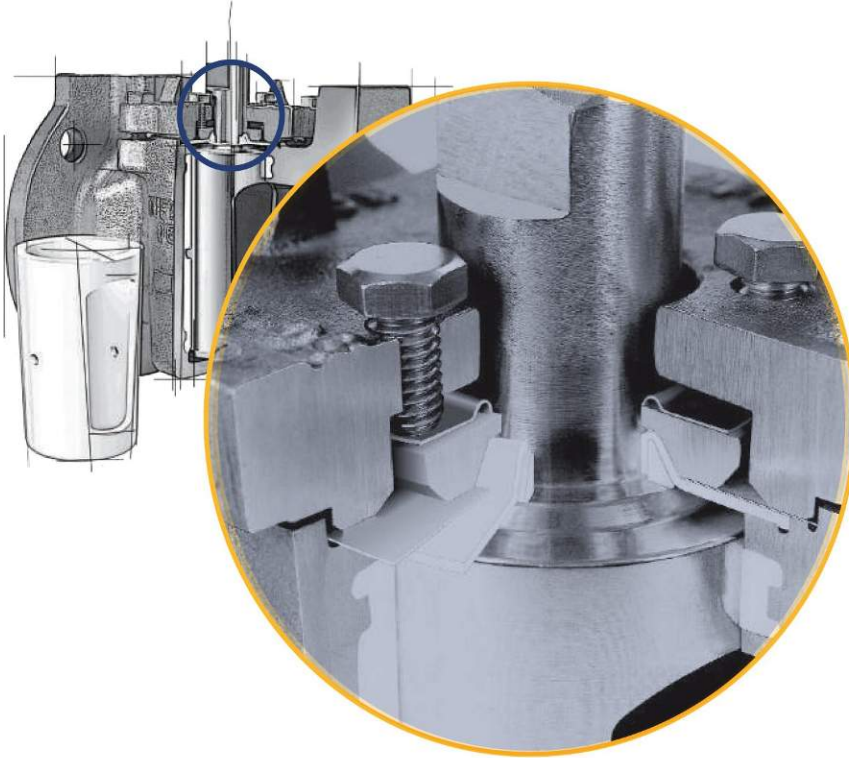
High Pressure sealing

Sleeve relief area

Superior Sealing:

The inert PTFE sleeve in our valves ensures complete encapsulation of the plug, providing a robust, circumferential sealing surface from port to port. Whether in open, closed, or rotating positions, our valves guarantee a reliable seal that surpasses traditional ball or gate valves.

Advanced Stem Sealing Technology



Innovative Port Lips:

Our standard dual stem seal outperforms those found in ball, gate, and other plug valves. The primary seal ensures that flow media does not reach the stem, while the secondary backup seal offers comprehensive protection along the top edge of the plug and stem

Unmatched Dual Stem Seal:

The 360° port lips, a patented feature, enhance valve performance and longevity by preventing sleeve cold flow and deformation, eliminating sleeve rotation, and breaking up adhering deposits during plug rotation.

Eliminate Downtime and Minimize Maintenance Costs

Maximized Uptime:

Freture Techno's valves are designed to reduce unscheduled downtime and maintenance, offering greatly extended service life compared to conventional ball and gate valves. A simple adjustment of the top bolts ensures a tight seal and continued operation without interruption.

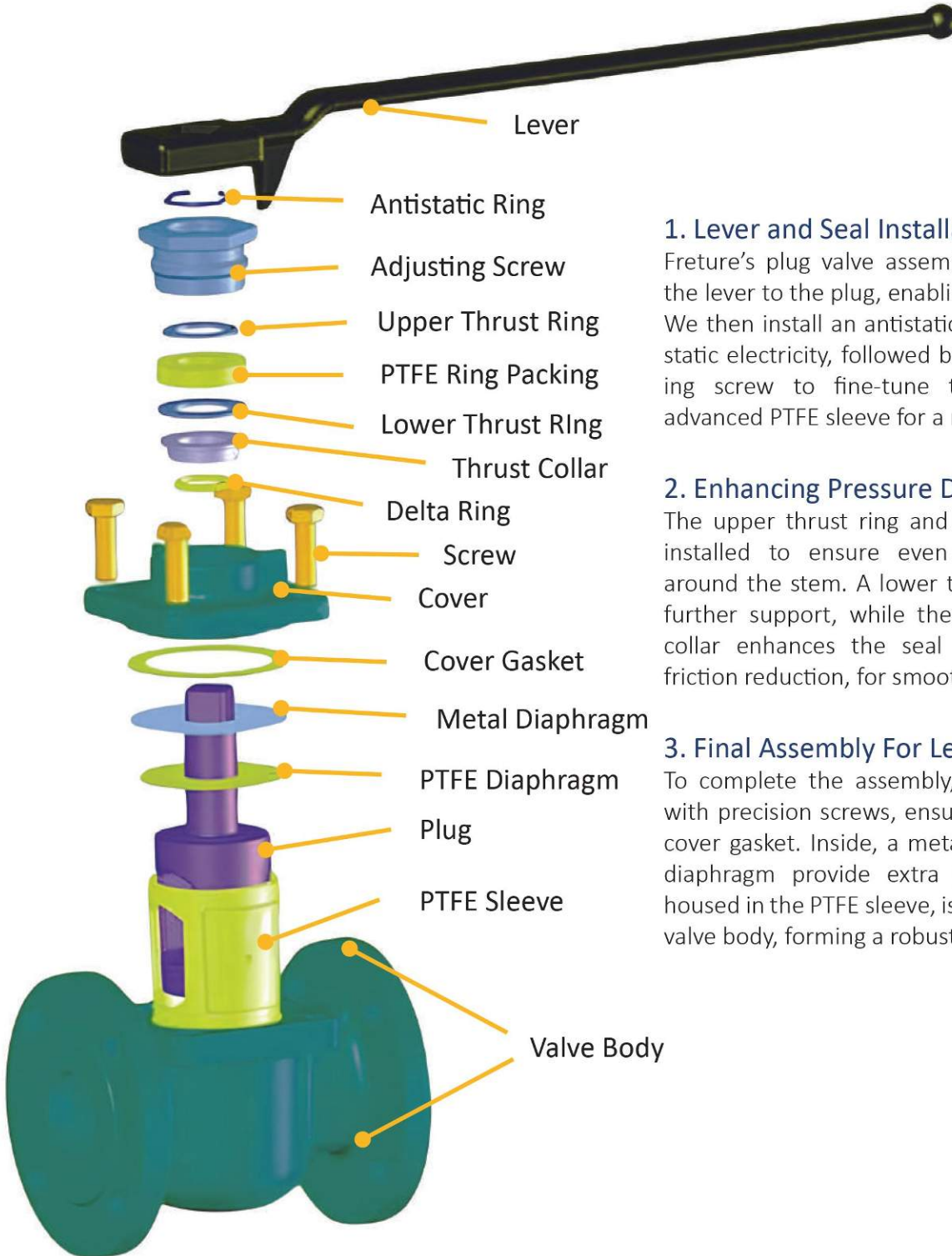
Dual Sealing Systems for Enhanced Protection:

Our valves feature two independent sealing systems that offer double protection against atmospheric leakage. The primary seal around the plug prevents flow media from reaching the stem, while the secondary seal provides an additional layer of protection.

Ease of Operation:

The PTFE sleeve's low friction coefficient acts as a lubricant, ensuring smooth operation even after extended periods in the open or closed positions. This translates to lower long-term costs and reliable performance.

Plug Valve Assembly Diagram



1. Lever and Seal Installation:

Freture's plug valve assembly begins by securing the lever to the plug, enabling precise flow control. We then install an antistatic ring to safely manage static electricity, followed by threading the adjusting screw to fine-tune the pressure on our advanced PTFE sleeve for a reliable seal.

2. Enhancing Pressure Distribution:

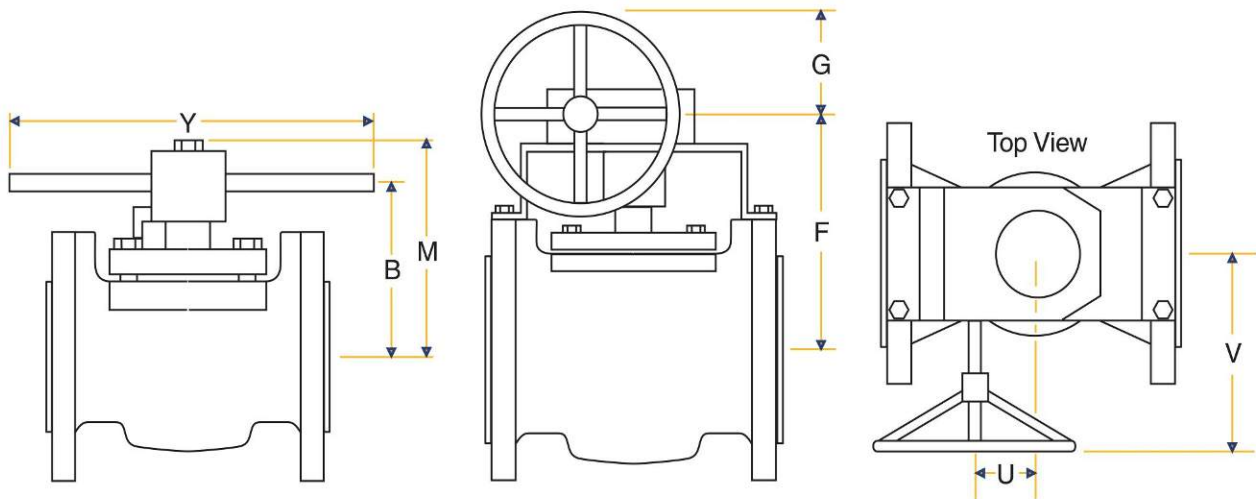
The upper thrust ring and PTFE ring packing are installed to ensure even pressure distribution around the stem. A lower thrust ring is added for further support, while the delta ring and thrust collar enhances the seal integrity and provide friction reduction, for smooth plug rotation.

3. Final Assembly For Leak Protection:

To complete the assembly, we secure the cover with precision screws, ensuring a tight seal with a cover gasket. Inside, a metal diaphragm and PTFE diaphragm provide extra protection. The plug, housed in the PTFE sleeve, is then placed within the valve body, forming a robust, leak-proof valve.

Class 300 - Flange End 2 way & 3 Way

Size	L	H	D	T	P	R	N	O	C	S	J	K	E	Z	CX	G
5.50	1.92	3.75	.56	1.38	1.88	.63	2.63	.250	.50	.66	-	6.00	1.09	6	2.88	8
6.00	1.92	4.63	.63	1.69	2.31	.75	3.25	.250	.50	.66	-	6.00	1.09	9	3.00	12
6.50	2.50	4.88	.69	2.00	2.44	.75	3.50	.438	.63	.32	.53	7.00	1.38	11	3.75	15
7.50	3.06	6.13	.81	2.88	3.06	.88	4.50	.563	.88	.44	.59	8.00	1.56	21	4.38	29
8.50	3.56	6.50	.88	3.63	3.25	.75	5.00	.750	1.13	.53	.78	9.13	2.00	28	4.75	37
11.13	4.13	8.25	1.1	4.13	4.13	.88	5.88	.750	1.13	.53	.78	10.13	2.00	38	5.56	53
11.13	4.13	8.25	1.1	5.00	4.13	.88	6.63	.750	1.13	.53	.78	10.13	2.00	38	5.56	53
12.00	5.22	10.00	1.2	6.19	5.13	.88	7.88	.875	1.25	.78	.90	22.00	2.50	80	6.75	105
15.88	7.35	12.50	1.4	8.50	6.25	.88	10.63	1.39	2.00	1.00	-	25.00	3.06	165	8.50	207
16.50	9.32	15.00	1.6	10.63	7.50	1.0	13.00	1.39	2.00	1.00	-	28.00	4.12	267	10.00	334
18.00	10.81	17.50	1.8	12.75	8.75	1.1	15.25	1.67	2.50	1.00	-	29.00	4.50	395	12.00	47
19.75	11.81	20.50	2.0	15.00	10.25	1.2	17.75	1.96	3.00	1.00	-	35.00	5.31	540	N/A	0
30.00	14.96	23.00	2.1	16.25	11.50	1.2	20.25	2.0	3.93	1.57	-	N/A	N/A	925	N/A	-
33.00	14.96	25.50	2.2	18.50	12.75	-	22.50	2.0		1.57	-	N/A	N/A	1,005	N/A	-
36.00	14.96	28.00	2.3	21.00	14.00	-	24.75	2.0		1.57	-	N/A	N/A	1,200	N/A	-
39.00	20.48	32.00	2.50	23.00	16.13	-	27.005	4.0		2.00	-	N/A	N/A	2,500	N/A	-



High Pressure Sealing: Designed to handle high-pressure applications with secure sleeve containment.

Cavity-Free Design: No body cavities to trap flow media, preventing contamination and sticking, ensuring a clean and efficient operation.

Wrench

Size	M	B	Y
1/2	-	4.00	6.38
3/4	-	4.00	6.38
1	3.81	2.88	8.75
1	4.56	3.63	12.50
2	5.13	4.00	18.00
2	5.69	4.63	24.00
3 ^{1/2}	5.69	4.63	24.00
4	7.06	5.75	30.00

Gear

Size	F	G	U	V
4	8.75	6.00	2.06	8.00
6	11.50	9.00	2.62	10.38
8	13.50	9.00	2.62	10.38
10	15.25	12.00	3.53	12.31
12	16.25	15.00	4.88	15.88
14	21.66	15.00	5.38	16.90
16	21.66	12.00	5.12	17.66
18	21.66	12.00	5.12	17.66
20	32.92	15.75	16.97	24.00
24	32.92	15.75	16.97	24.00

FRETURE

EMISSION FREE PROCESS

CLIENTELE



FRETURE TECHNO PVT. LTD.



Fenkin Empire, Kaushalya, Station Road,
Jambli Naka, Thane (W) - 400602.



www.freture.com



+91 75066 82777



sales@freture.com